



HDPE Pin Insulator (High Density Polyethylene Insulator)

WINNING® HDPE Insulators(also called as polymeric insulators), are produced of a proprietary high density polyethylene, which features good track resistant, greater leakage distance, higher flashover and impulse values, as well as other superior mechanical performances such as lighter weight, anti-crack etc.

WINNING® currently is manufacturing and exporting 7 types of MAINLY Tie Top HDPE Insulators at voltage rating of 15kV,25kV and 35kV, available for applications on 1" and 1-3/8" pins depending on clients' application and needs.

WINNING® HDPE Insulators have "C" (2-1/4" nominal) and "F" (2-7/8") necks, designed to match most head and neck dimensional standards of ANSI C29.5, Class 55-3, 55-4, 55-5, 55-6 and 55-7 pin type insulators. However, HDPE Insulators have much higher electrical and mechanical values in comparison with traditional ANSI class porcelain pin insulators.

WINNING® is also able to produce Vise Top HDPE Insulators and Tie Top HDPE Insulators with "J" Neck (3-1/2") upon your request!



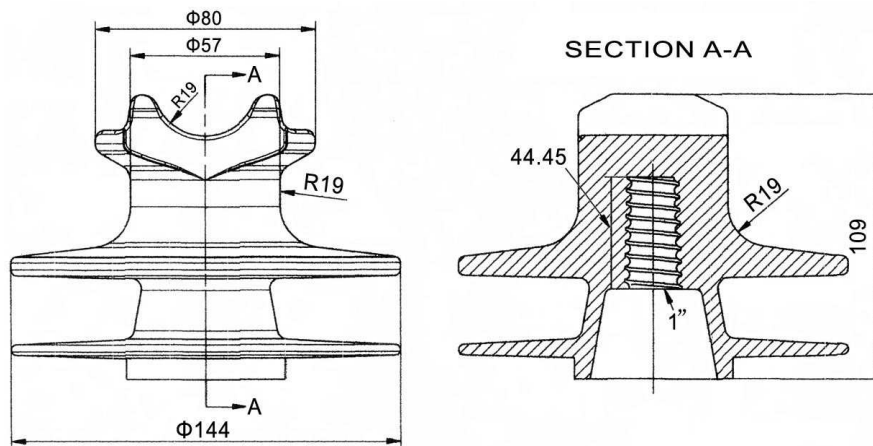


Specifications of HDPE Pin Insulators

Class		15C	15F	15F	25F	25F-2	35F	35F-2
Catalogue No.		WPI-55-3	WPI-55-4A	WPI-55-4B	WPI-55-5A	WPI-55-5B	WPI-55-6A	WPI-55-6B
Neck Designation		C	F	F	F	F	F	F / C
Section Height; H(mm)		109	129	133	140	140	181	180
Diameter of Shed; D/d(mm)		144	138.6	140	190	190	190	170
Pin Thread Size; M		1"	1"	1"	1" or 1-3/8"	1" or 1-3/8"	1" or 1-3/8"	1" or 1-3/8"
Leakage Distance (mm)		250	318	368	389	371	533	600
Dry Arc Distance (mm)		140	170	160	183	200	254	260
Cantilever Strength; kN		13.3	13.3	13.3	13.3	13.3	13.3	13.3
Power Frequency Flashover Voltage	Dry; kV	65	75	75	87	87	105	110
	Wet; kV	42	45	45	52	52	70	75
Critical Impulse Flashover Voltage	Pos; kV	102	110	110	135	135	160	160
	Neg; kV	125	130	130	150	165	220	225
Low Fre. Puncture Voltage; kV		160	170	170	180	200	230	230
Radio Influence Voltage	Test Voltage Ground kV	10	10	10	10	10	10	10
	Max. RIV at 1000kHz us	50	50	50	100	100	100	100
Weight; kg		0.35	0.54	0.63	0.90	0.85	1.20	0.90

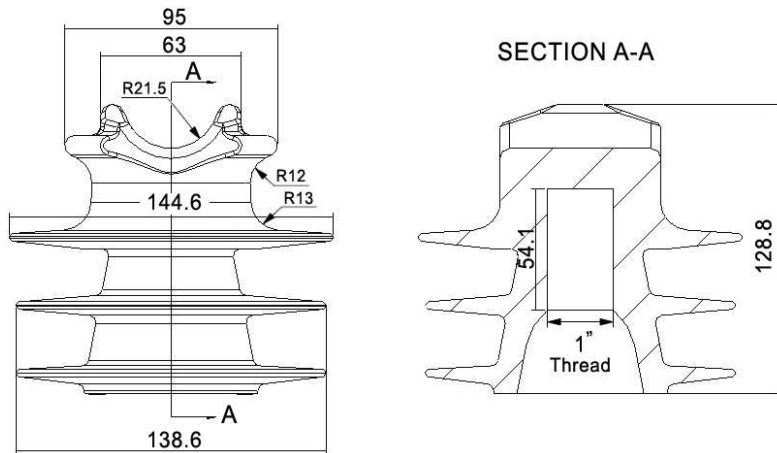
Custom Sizes of Special Necks and Shapes can be met upon request.

Drawing - HDPE Insulator WPI-55-3, 15C

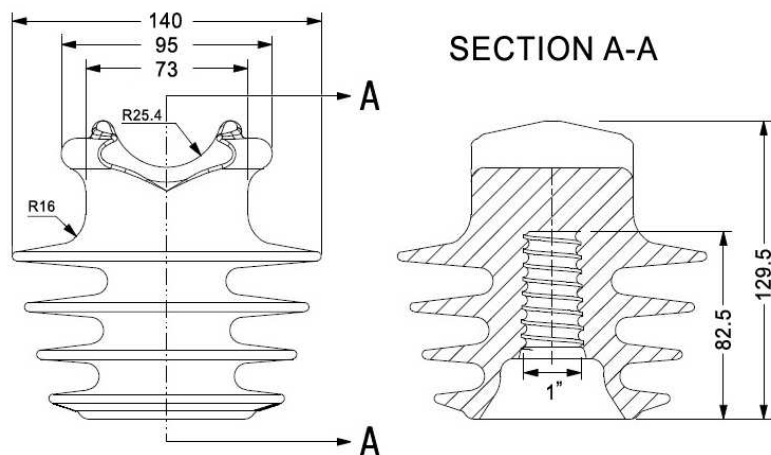




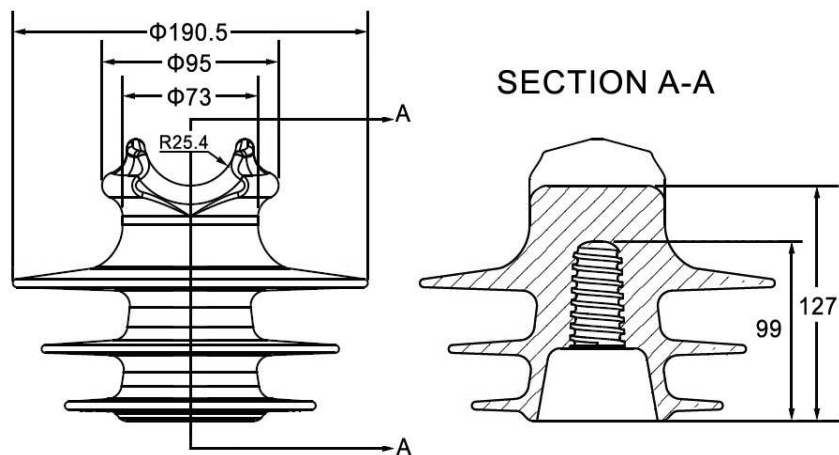
Drawing - HDPE Insulator WPI-55-4A, 15F



Drawing - HDPE Insulator WPI-55-4B, 15F

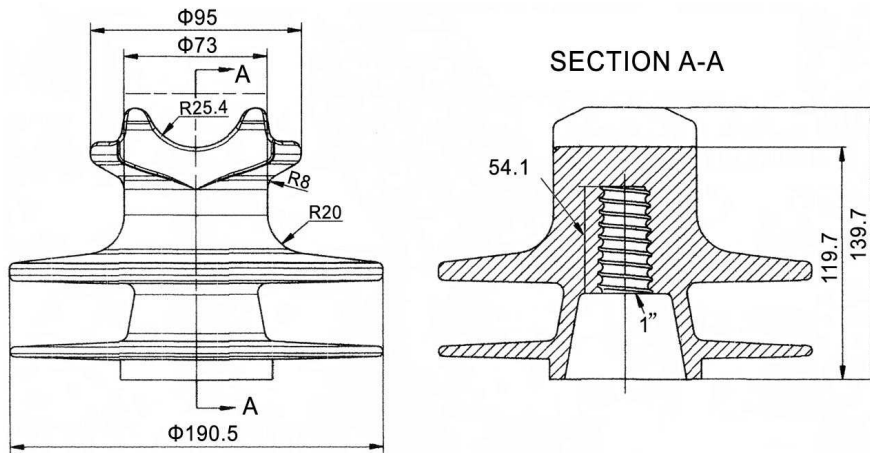


Drawing - HDPE Insulator WPI-55-5A, 25F (1-3/8" Thread Available)

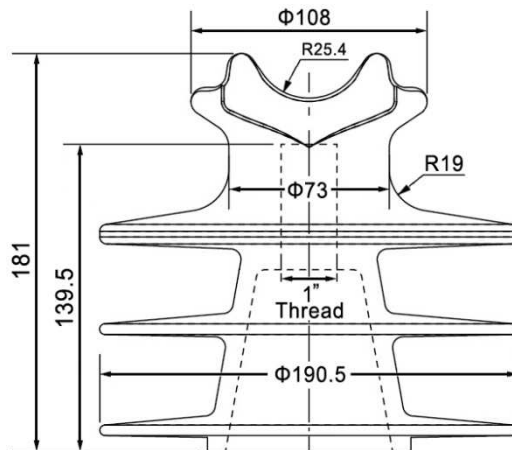




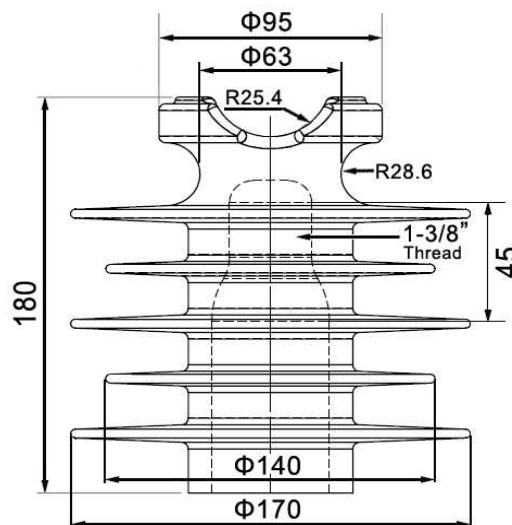
Drawing - HDPE Insulator WPI-55-5B, 25F (1-3/8" Thread Available)



Drawing - HDPE Insulator WPI-55-6A, 35F (1-3/8" Thread Available)

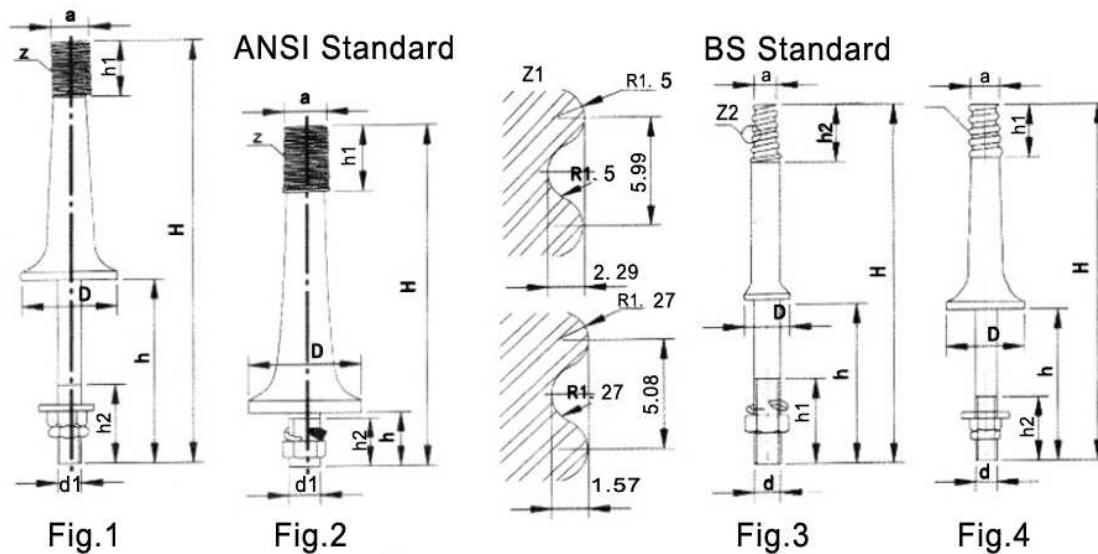


Drawing - HDPE Insulator WPI-55-6B, 35F (1" Thread Available)





Spindle for Pin Insulators



Catalog No.	Fig.	Main Dimensions							Mechanical Strength (kN)	ANSI Class	Weight (kg)
		H	D	h	h1	H	a	d1			
WPS-1	1	330	76	178	51	76	34.90	20	11	56-1	1.90
WPS-2	1	356	76	178	51	76	34.90	20	9	56-2	2.20
WPS-3	1	407	89	178	51	76	34.90	20	10	56-3	2.50
WPS-4	1	432	89	178	51	76	34.90	20	9	56-4	3.25
WPS-5	1	343	45	165	51	76	34.90	20	6	56-2	1.60
WPS-6	2	198	76	45	51	40	34.90	2020	11	56-1	1.54
WPS-7	2	223	76	45	51	40	34.90	20	9	56-2	1.87
WPS-8	2	274	89	45	51	40	34.90	20	10	56-3	2.17
WPS-9	2	299	89	45	51	40	34.90	20	9	56-4	2.70
WPS-10	2	223	45	45	51	40	34.90	20	6	56-2	1.30
WPS-11	1	356	76	76	51	76	34.90	16	5	56-2	1.90
WPS-12	3	305	38	140	74	45	34.90	20	5	BS	1.00
WPS-13	3	352	41	127	80	45	18.29	22	5		1.20
WPS-14	3	215	38	5	44	45	18.29	20	5		0.75
WPS-15	4	261	60	46	47	41	27.78	22	10	BS	1.50
WPS-16	4	369	51	140	47	78	27.78	22	10		2.00

Spindles are Hot Dip Galvanized Steel, custom sizes are available.